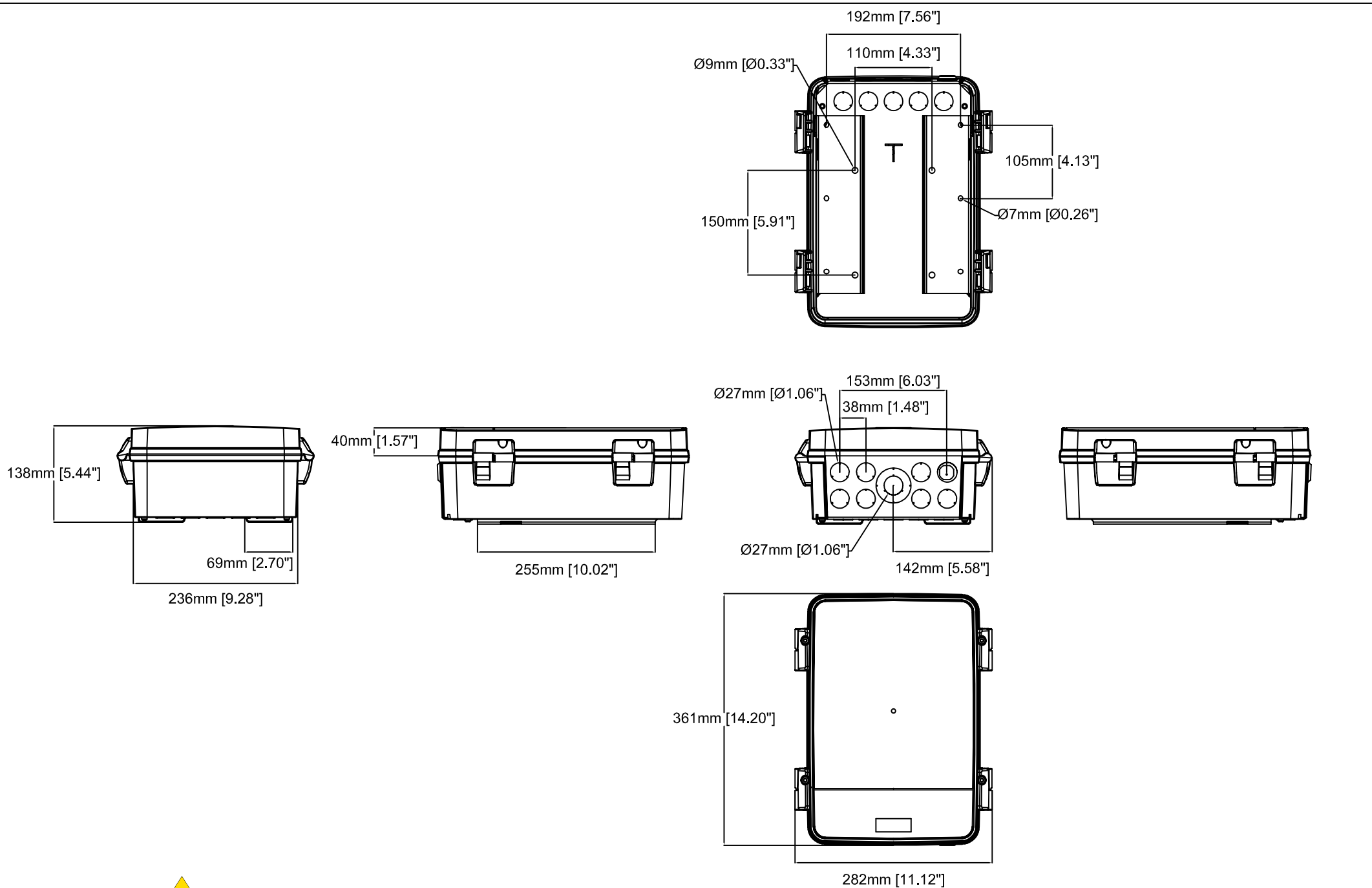


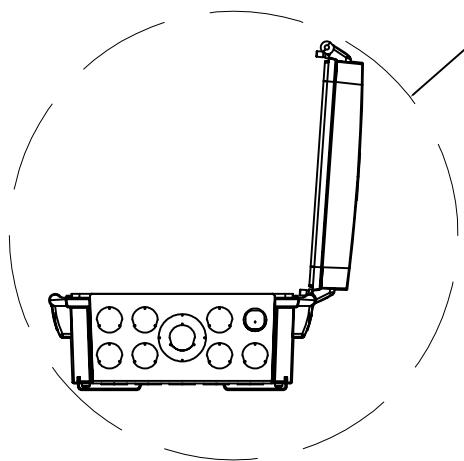
# AXIS T98A15-VE Surveillance Cabinet

Revision	v.01	Revision date	2017-10-18
Paper size	A4	Release date	2012-06-30
Created by	JOT	Scale	1:5

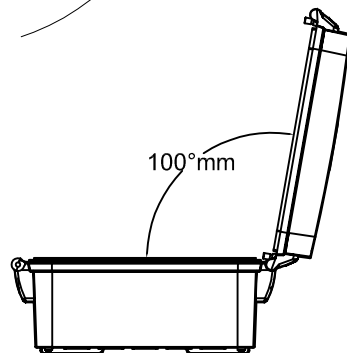
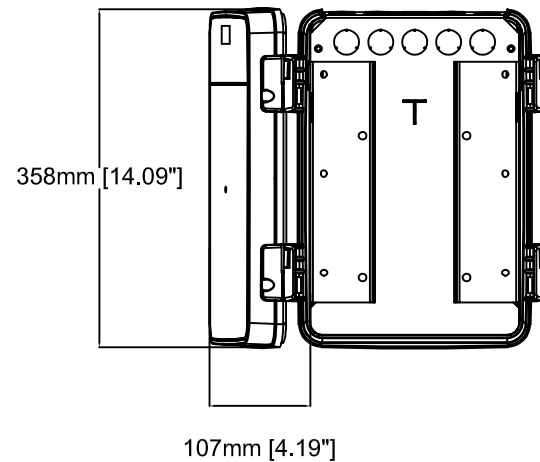


# AXIS T98A15-VE Surveillance Cabinet

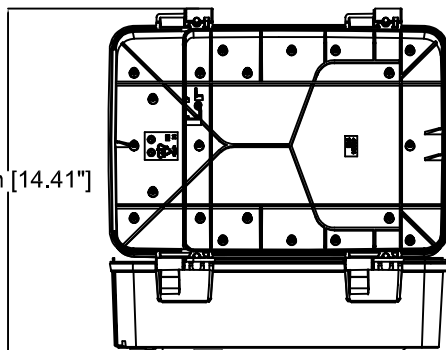
Revision	v.01	Revision date	2017-10-19
Paper size	A4	Release date	2012-06-30
Created by	JOT	Scale	1:7



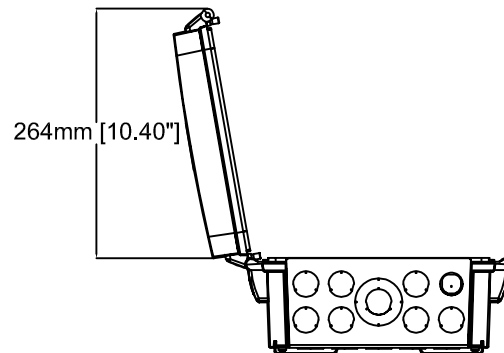
Cabinet Door, T98A05,  
can be installed on either side of the cabinet.



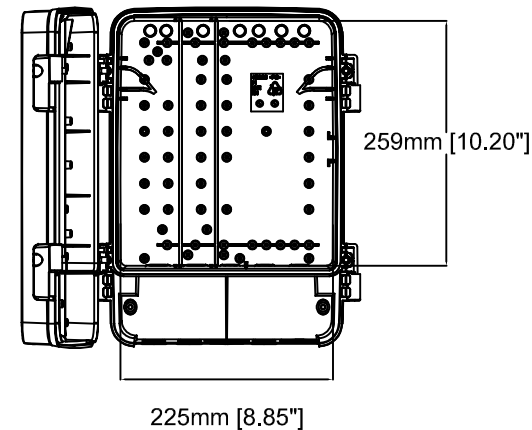
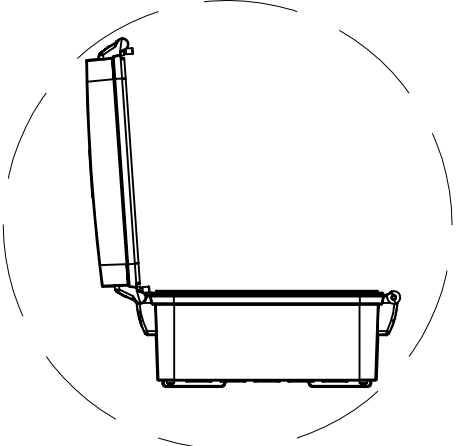
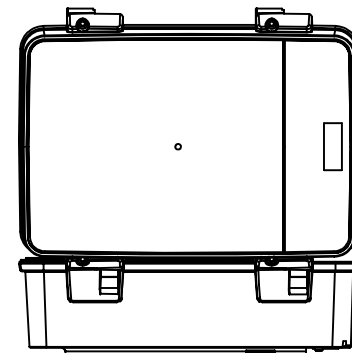
100°mm



366mm [14.41"]



264mm [10.40"]



259mm [10.20"]

225mm [8.85"]



# AXIS T98A15-VE Surveillance Cabinet

Revision	v.01	Revision date	2017-10-19
Paper size	A4	Release date	2012-06-30
Created by	JOT	Scale	1:8